

**INSTRUCTIONS
AND CARE**

SKAGEN

INDEX

1

CLEANING YOUR WATCH

2

RESIZING YOUR STRAP

MESH BAND ADJUSTMENT

SIZING A LINK STRAP

3

SETTING YOUR WATCH

STANDARD MOVEMENT

ONE HAND

MULTIFUNCTION

CHRONOGRAPH

CHRONOGRAPH RESET

3 HAND DAY AND DATE

SOLAR POWERED

WORLD TIME/ALARM

AUTOMATIC

WATCH CARE

SKAGEN suggests the following solutions for cleaning metal and crystal surfaces:

3:1 SOLUTION OF AMMONIA-BASED WINDOW CLEANER TO WATER

OR

4:1 SOLUTION OF RUBBING ALCOHOL TO WATER

*Do not use soap products, as soap will leave residue behind when dry. These suggested solutions will evaporate cleanly from metal and glass surfaces.

TO CLEAN THE CASE AND CRYSTAL

Moisten a soft cloth with one of the above solutions. Gently wipe the case and crystal clean. Be careful not to put too much stress on the crystal as you clean. Avoid immersing or soaking the case or crystal portion of the watch, regardless of water-resistance rating.

TO CLEAN THE BAND OR STRAP

METAL

Dip a cotton swab into one of the above solutions and gently rub it on the unclean area of the band. For more intricate mesh bands, you may want to use a soft-bristle toothbrush or nailbrush. Be sure to cover the case of the watch during this process so as not to soak it. For stubborn dirt, you may want to take your watch in to the nearest SKAGEN location.

SILICON, FELT AND CERAMIC

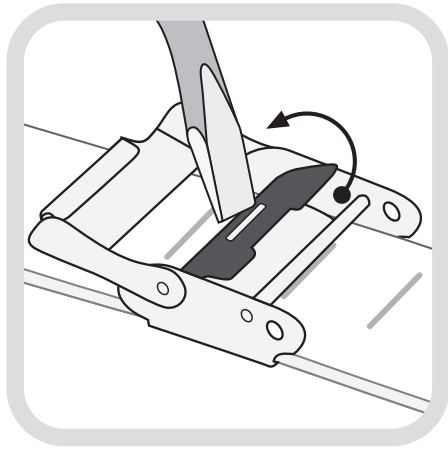
Simply wipe the strap down with a damp, soft cloth. Avoid soaps and solvents as they may damage the material.

LEATHER

Simply wipe it clean with a damp cloth, using water only. You may want to use leather conditioner or a small amount of hand lotion to keep the leather supple over time. Top-grain leather may develop a milky “haze” if left alone for extended periods. This can simply be wiped away or removed with leather conditioner. A product called “nubuck eraser” can be used to remove light stains and debris from the inside of the strap.

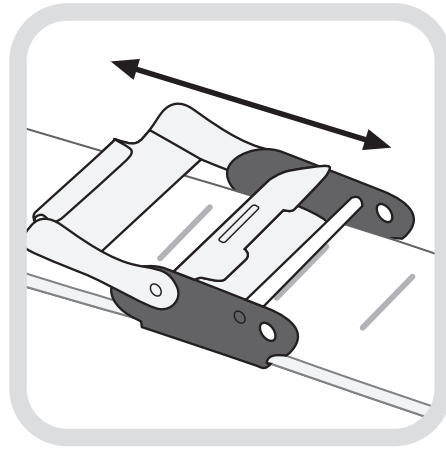
MESH BAND ADJUSTMENT

TO ADJUST THE BAND



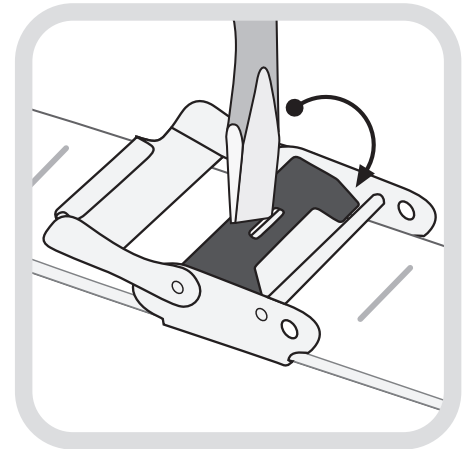
LIFT

1. Position a flathead screwdriver or other adjustment tool in the slot on the clasp. Lift the bar in the direction facing away from the straight pin.



SHIFT

2. Shift the adjustable buckle to the desired position. Clasp must be placed in one of the adjustment indentations on the back of the band.



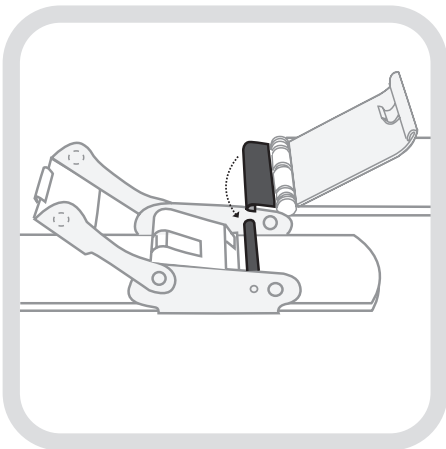
PRESS

3. Press the slotted clasp closed.

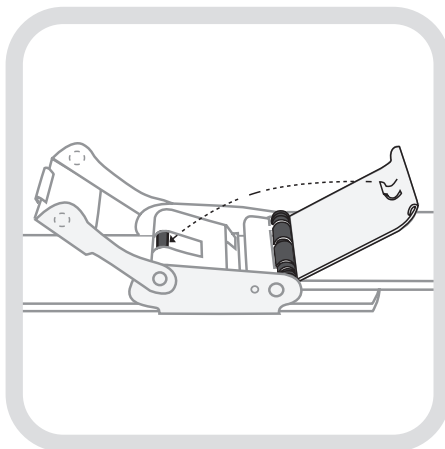
IMPORTANT: Ensure that the tool handle points toward the watch case. Pressing the adjustment tool against the straight pin may bend and destroy the pin.

TO SECURE THE BAND

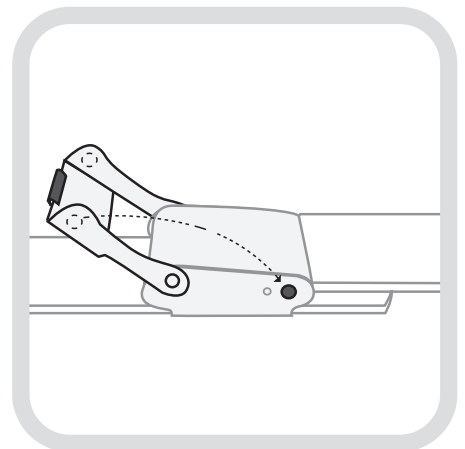
Pull the hook over the pin, snap the flat clasp closed, then close the security clasp.



HOOK

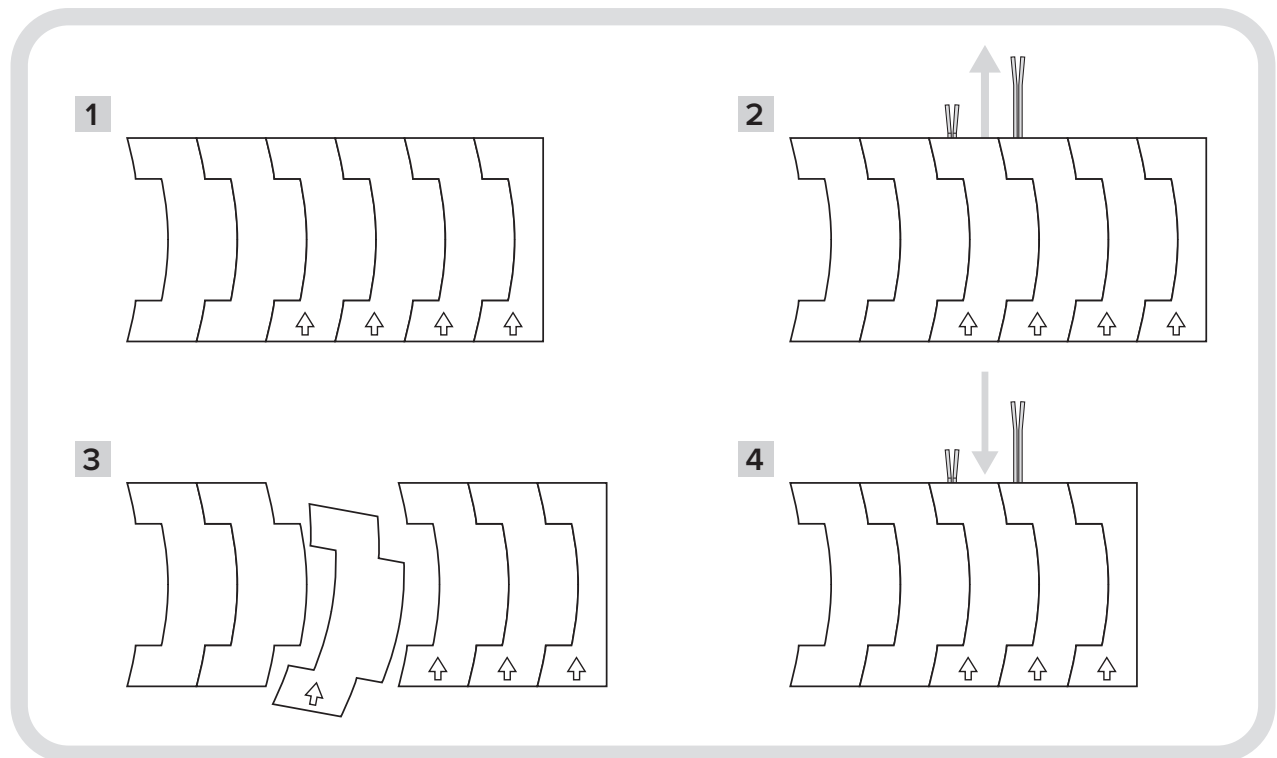


SNAP



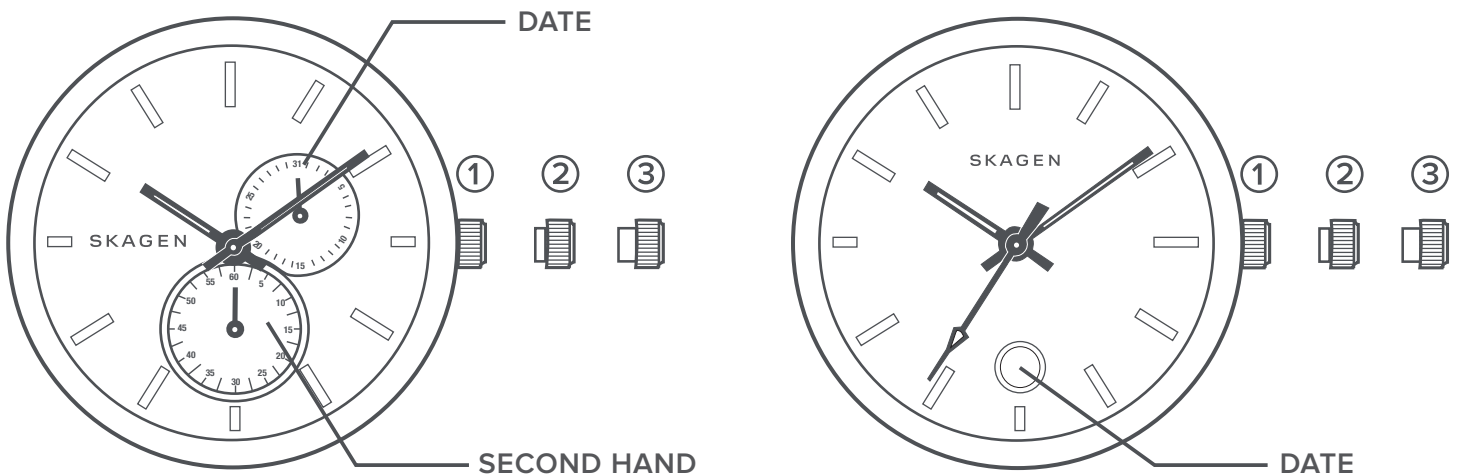
CLASP

SIZING A LINK STRAP



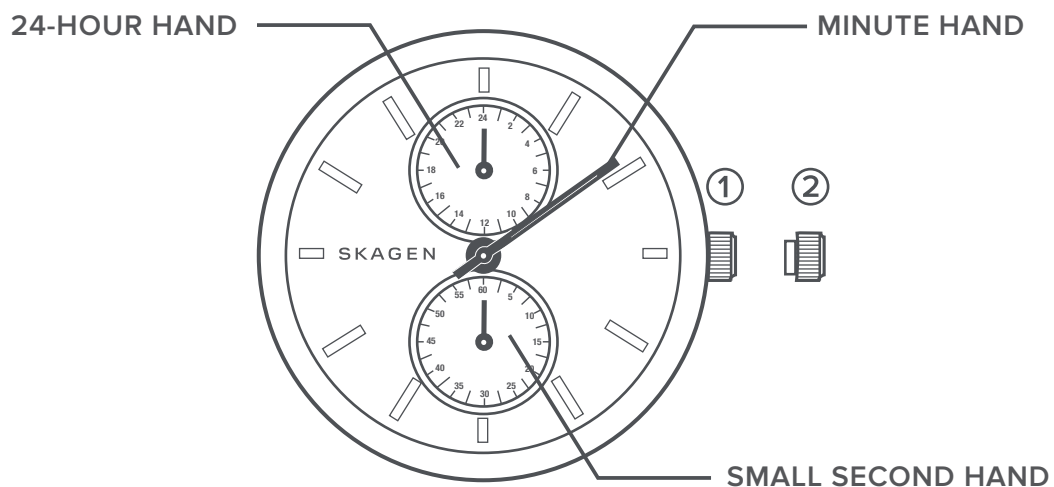
1. Using a small pointed tool, insert tip into hole on underside of band and push the pin out.
2. Grasp the pin and pull out. Arrows on the band indicate the direction that the links are to be removed. In order to remove one link, two pins must be removed. If removing more than one link, remove an equal number of links from both sides to maintain the symmetry of the wrist band.
3. After removing the necessary number of links, tap the remaining pins back into place using a small hammer.

STANDARD DIAL INSTRUCTIONS



- Pull the crown out to the 2 position.
- Rotate the crown to set the date. (Either clockwise or counter-clockwise depending on the model.)
- Pull the crown out to the fully extended 3 position and rotate to set the desired time.
- Push the crown back to its normal 1 position and the date and time are now set.

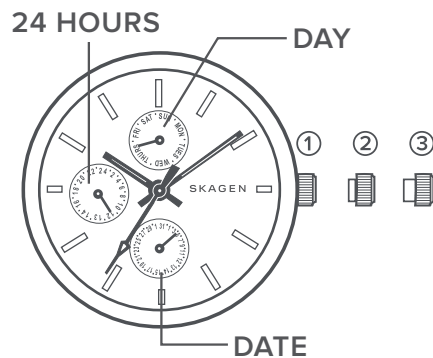
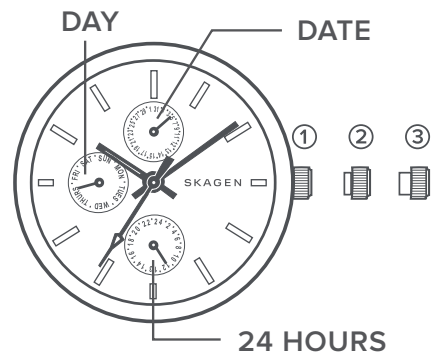
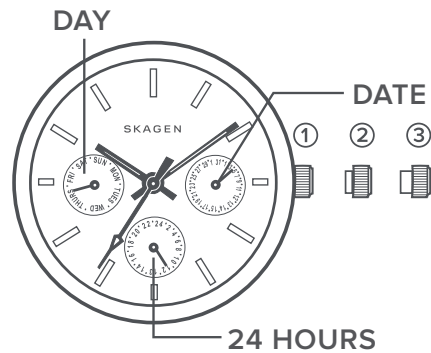
ONE HAND



SETTING THE TIME

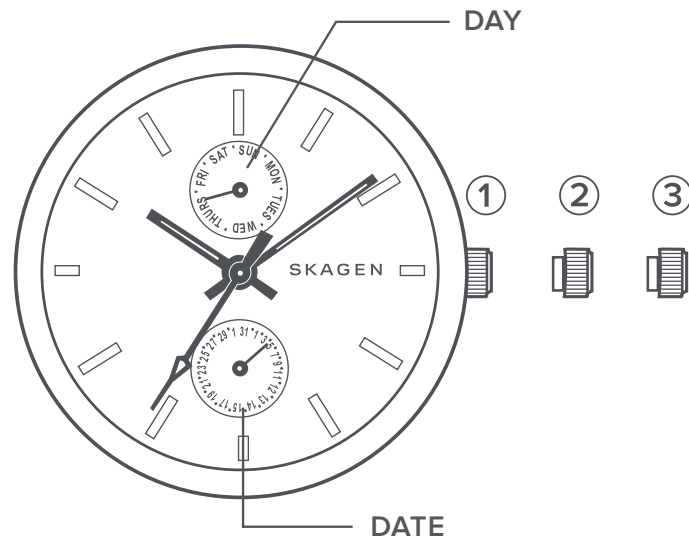
- Pull the crown out to the 2 position when the small second hand is at 12 o'clock. The second hand will stop on the spot.
- Advance the minute hand by rotating the crown. The 24-hour hand will advance one hour for every full rotation of the minute hand.
- Push the crown back to its normal 1 position and the time is now set.

MULTIFUNCTION



- A. Pull the crown out to the 2 position and rotate to set the date. (Either clockwise or counter-clockwise depending on the model.)
- B. Pull the crown out to the fully extended 3 position and rotate clockwise, cycling through hours to set day. Then set time.
- C. Push the crown back to its normal 1 position and the day, date and time are now set.

MULTIFUNCTION



SETTING THE TIME

- A. Pull the crown out to fully extended 3 position.
- B. Rotate the crown to set the desired time.
- C. Push the crown back to normal 1 position and the time is now set.

SETTING THE DAY

- A. Pull the crown out to fully extended 3 position.
- B. Rotate the crown clockwise to advance the hour and minute hands. For every two full rotations of the crown, the day will advance by one day. *If the day is set between the hours of approximately 10:00 PM and 1:00 AM, the day may not change on the following day.
- C. Push the crown back to normal 1 position and the day of the week is now set.

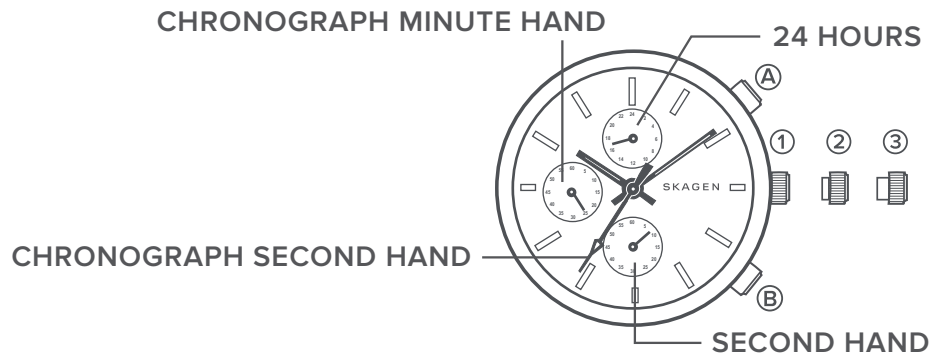
SETTING THE DATE

- A. Pull the crown out to the 2 position.
- B. Rotate the crown counter-clockwise to set the date hand. *If the date is set between the hours of approximately 10:00 PM and 1:00 AM, the date may not change on the following day.
- C. Push the crown back to normal 1 position and the date is now set.

CHRONOGRAPH

NOTE: We currently offer multiple models of chronographs. Refer to the instructions for the illustration that most closely matches your watch.

STYLE 1



TIME SETTING

- A. Pull crown out to the 2 position.
- B. Rotate the crown to set the desired time.
- C. Return crown to normal 1 position and the time is now set.

USING STOPWATCH

- A. Press A to start/stop stopwatch and control split time.
- B. Press B to reset stopwatch.

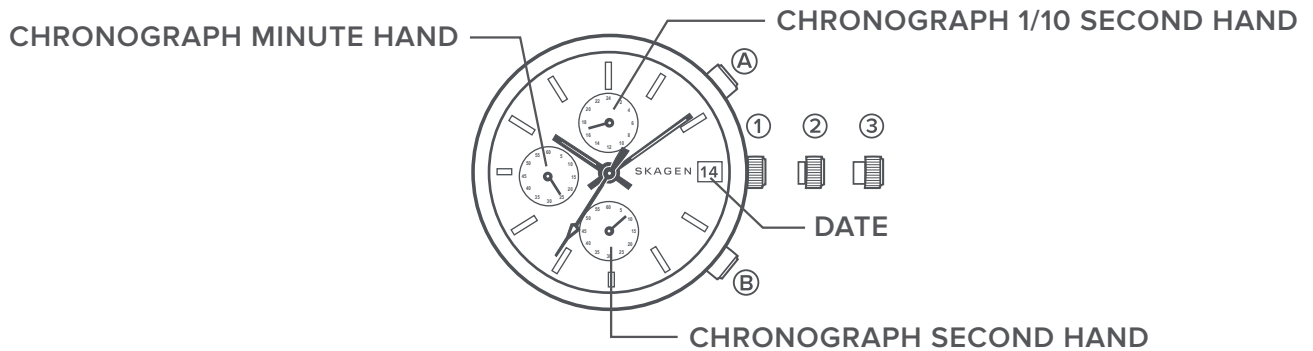
NOTE: This stopwatch is able to measure and display time in 1/10 second up to a maximum of 30 minutes. Stopwatch will stop automatically after running continuously for 30 minutes.

RESETTING STOPWATCH

1. Pull crown out to the 2 position.
2. Press A once to set chronograph second hand to zero position.
3. Once hands have returned to zero, reset to desired time.
4. Return crown to normal 1 position.

NOTE: This procedure should only be performed when chronograph second hand does not return to zero position.

STYLE 2



TIME SETTING

- A. Pull crown out to fully extended 3 position.
- B. Rotate the crown to set the desired time.
- C. Push back to normal 1 position and the time is now set.

USING THE STOPWATCH

- A. Press A to start/stop the stopwatch.
- B. Press B to control the split time and reset.

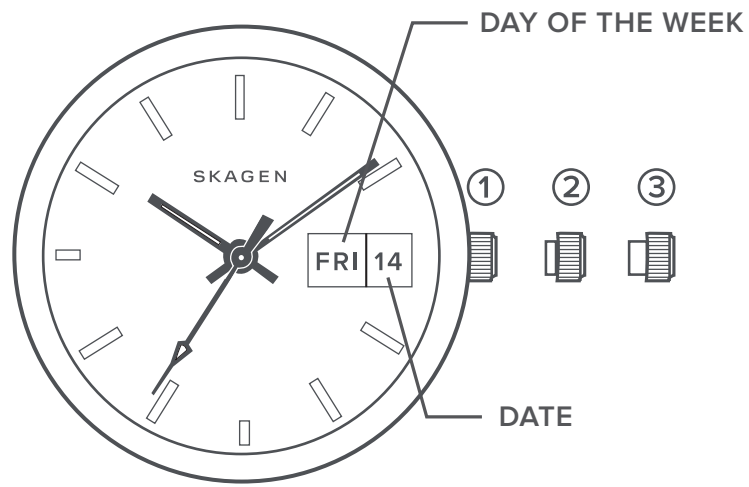
STOPWATCH HAND ADJUSTMENT

- A. Pull crown out to the fully extended 3 position.
- B. Press A to reset the stopwatch 1/10 second hand to the "0" position.
- C. Press B to reset the second and minute hands. The hands only move clockwise.
- D. With each press of A or B, the hands move one position. They move quickly if the buttons are kept pressed.
NOTE: If the stopwatch hands function improperly, pull out crown and press A and B at the same time for more than 2 seconds. When the buttons are released, the stopwatch second and 1/10 second hands will spin around and return to "0." This will indicate that the internal circuit has been reset.

DATE SETTING (ON SOME MODELS ONLY)

- A. Pull crown out to the 2 position.
- B. Rotate clockwise until desired date appears in window.
- C. Push crown back to normal 1 position and the date is now set.

3-HAND DAY AND DATE



SETTING THE TIME

- Pull the crown out to the fully extended 3 position.
- Rotate the crown clockwise to set desired time.
- Push the crown back to normal 1 position and the time is now set.

SETTING THE DATE

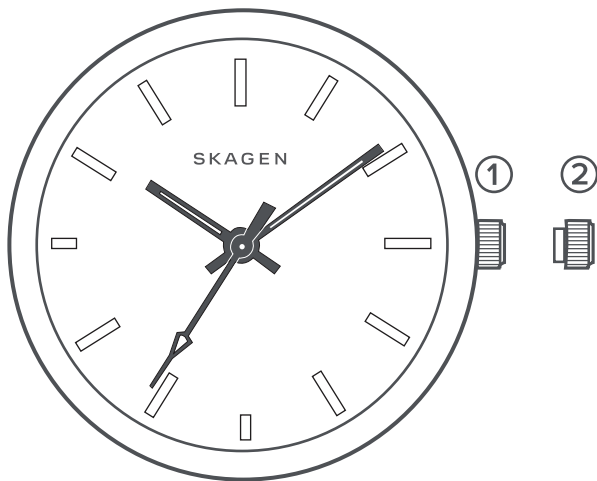
- Pull the crown out to the 2 position.
- Rotate the crown counter-clockwise to set date. *If the date is set between the hours of approximately 10:00 PM and 1:00 AM, the date may not change on the following day.
- Push the crown back to normal 1 position and the date is now set.

SETTING THE DAY

- Pull the crown out to the 2 position.
- Rotate the crown clockwise to set the day. *If the day is set between the hours of approximately 10:00 PM and 1:00 AM, the day may not change on the following day.
- Push the crown back to normal 1 position and the day of the week is now set.

SOLAR POWERED

APPROXIMATE TIME REQUIRED FOR CHARGING



CHARGING SOURCE	FOR FULL CHARGE	FOR 1 DAY OPERATION
20CM (8IN.) UNDER A FLUORESCENT LIGHT	UP TO 60 HOURS	UP TO 100 MINUTES
OUTSIDE, CLOUDY CONDITIONS	UP TO 20 HOURS	UP TO 5 HOURS
OUTSIDE, SUNNY CONDITIONS	UP TO 8 MINUTES	UP TO 2 MINUTES

SETTING THE TIME

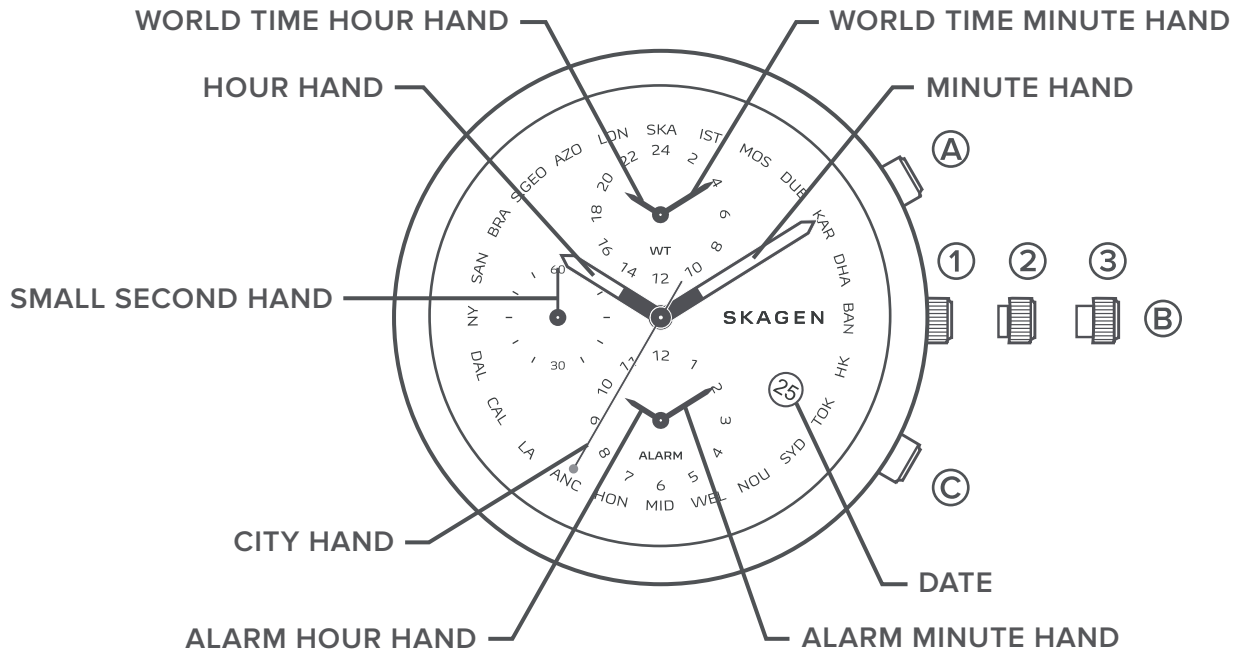
- A. Pull the crown out to fully extended 2 position and rotate to set desired time. Push the crown back to its normal 1 position.
- This watch has a rechargeable cell that is charged by exposing the watch dial to light, such as direct sunlight or fluorescent lamps.
 - Expose the watch dial to direct sunlight for several hours at least once a month.
 - Do not charge watch at a high temperature (about 60°C/140°F or higher).
 - After taking off the watch, put it in a position so that the dial is exposed to bright light, such as by a window.
 - Before storing the watch in a dark place for an extended period of time, be sure to charge it fully.

WARNINGS / NOTIFICATIONS FOR CHARGING

RECHARGE WARNING FUNCTION: Second hand moves at 2-second intervals. The second hand changes to a 2-second interval movement to indicate insufficient recharging. After exposing the watch to light, recharging takes place and the watch returns to 1-second interval movement.

TIME SETTING NOTIFICATION: Second hand moves irregularly / 1 sec - 1 sec - 2 sec. The second hand moves irregularly (1 sec - 1 sec - 2 sec) to indicate that the time setting was not done after the watch stopped (due to insufficient charge). It will continue to do so until the time is set. It is advised to set the time after each sufficient charge.

WORLD TIME AND ALARM



SETTING YOUR WATCH

On initial use, complete all steps below, in order as listed, to fully set watch. Once initial setup is complete, you may adjust settings individually as needed.

SETTING THE DATE AND TIME

- A. Pull the crown (B) out to the middle 2 position and rotate clockwise until the previous day's date appears.
- B. Pull the crown (B) out to the fully extended 3 position when the small second hand is at the 12 o'clock position.
- C. Rotate the crown (B) clockwise to advance the hour and minute hands past 12:00 midnight. This will advance the date to the current date. *If the date is set between the hours of approximately 10:00 PM and 1:00 AM, the date may not change on the following day.
- D. Rotate crown (B) clockwise to set desired time.

SETTING THE ALARM

- A. With the crown B pulled out to the fully extended 3 position, press the (C) push-button repeatedly (or hold down) to set the alarm hands to current time.

WORLD TIME AND ALARM (CONT.)

SETTING THE CITY HAND

- A. With the crown (B) pulled out to the fully extended 3 position, press and hold the (A) push-button for 2 seconds. The city hand turns a full round.
- B. Press the (C) push-button to set city hand to the desired city for which you know the current time. It is best to use the city in the same time zone as your home city.

SETTING THE WORLD TIME HANDS

- A. With the crown (B) pulled out to the fully extended 3 position, press and hold the (A) push-button again for 2 seconds. The world time hour and minute hands now turn a full round.
- B. Press the (C) push-button repeatedly (or hold down) to set the world time hour and minute hands to indicate the time in the city you selected for the city hand. *Note: World time subdial operates on military time.
- C. Push the crown back to its normal 1 position. The watch is now set.
- D. Watch is now set and ready for use.

*To reset only the world time hands after initial setup, first complete Step A in the instructions for SETTING THE CITY HAND. Skip Step B and go straight to instructions for SETTING THE WORLD TIME HANDS.

OPERATING YOUR WATCH

USING THE WORLD TIME FUNCTION

Use push-button A or C to adjust city hand and corresponding world time hands forwards or backwards.

USING THE ALARM

- A. Before using the alarm, ensure that the alarm hands are adjusted to indicate the current time.
- B. Pull the crown B to the middle position 2. Press push-button C repeatedly (or hold down) to set the alarm hands to the desired alarm time. *Note: The alarm cannot be set for a time that is more than 12 hours ahead of the current time.
- C. Push the crown B back to normal position 1. Alarm is now set.
- D. Alarm indicates that it is turned on when hands indicate designated alarm time. Alarm indicates that it is turned off when hands indicate the current time.

WORLD TIME AND ALARM (CONT.)

SILENCING ALARM

- A. At the designated time, the alarm will chime for 20 seconds, at which point alarm will turn itself off.
- B. To silence alarm manually, press any button while it chimes. (While alarm is chiming, push-buttons will only work to silence alarm; they will temporarily not control other functions.)

CANCELING ALARM

- A. Pull the crown B to the fully extended position 3.
- B. The alarm hands will return to indicate current time, signaling alarm is now off.
- C. Push crown B back to normal position 1.

PREVIEWING ALARM CHIME

- A. Pull crown B out to middle position 2.
- B. Press and hold push-button A for 2 seconds. The alarm chime can be heard while the push-button is kept pressed.
- C. Push crown B back to normal position 1.

GLOSSARY OF CITIES

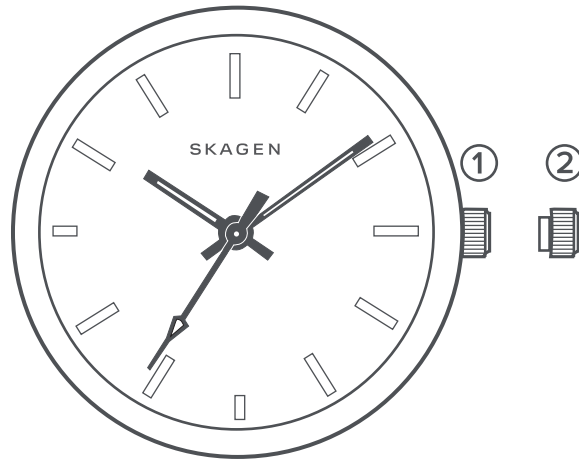
HON – Honolulu, Hawaii, U.S.
ANC – Anchorage, Alaska, U.S.
LA – Los Angeles, California, U.S.
CAL – Calgary, Alberta, Canada
DAL – Dallas, Texas, U.S.
NY – New York, New York, U.S.
SAN – Santiago, Chile
BRA – Brasília, Brazil

S.GEO – South Georgia, British
Overseas Territory
AZO – Azores, Portugal
LON – London, England, U.K.
SKA – Skagen, Denmark
IST – Istanbul, Turkey
MOS – Moscow, Russia
DUB – Dubai, U.A.E.
KAR – Karachi, Pakistan

DHA – Dhaka, Bangladesh
BAN – Bangkok, Thailand
HK – Hong Kong, China
TOK – Tokyo, Japan
SYD – Sydney, Australia
NOU – Noumea, New Caledonia
WEL – Wellington, New Zealand
MID – Midway Islands, U.S.



AUTOMATIC



MANUALLY WINDING THE WATCH

Instead of a battery, this watch contains an automatic winding movement that generates power through the movement of your wrist. It will run normally with regular wear, but not wearing the watch for several consecutive days could exhaust the power reserve.

In the event that the watch has completely stopped, leave the crown in its normal 1 position and rotate clockwise until you feel resistance. The watch will resume time keeping.

SETTING THE TIME

- A. Ensure that the watch is running, or wind it using the instructions above. Pull the crown out to the 2 position and rotate clockwise or counter-clockwise (depending on model) to set desired time.
- B. Push the crown back to its normal 1 position and the time is now set.